

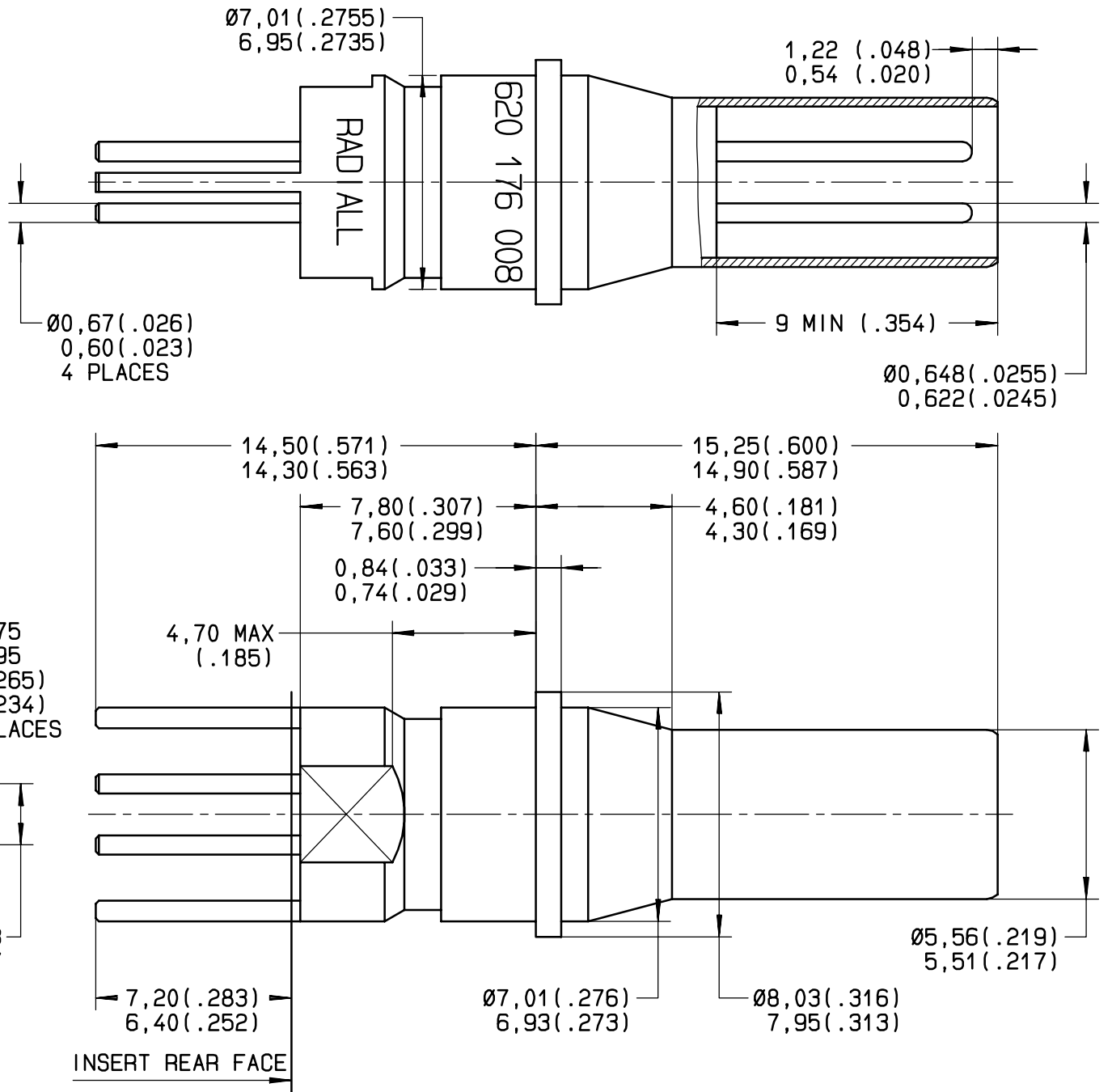


Series
NSX

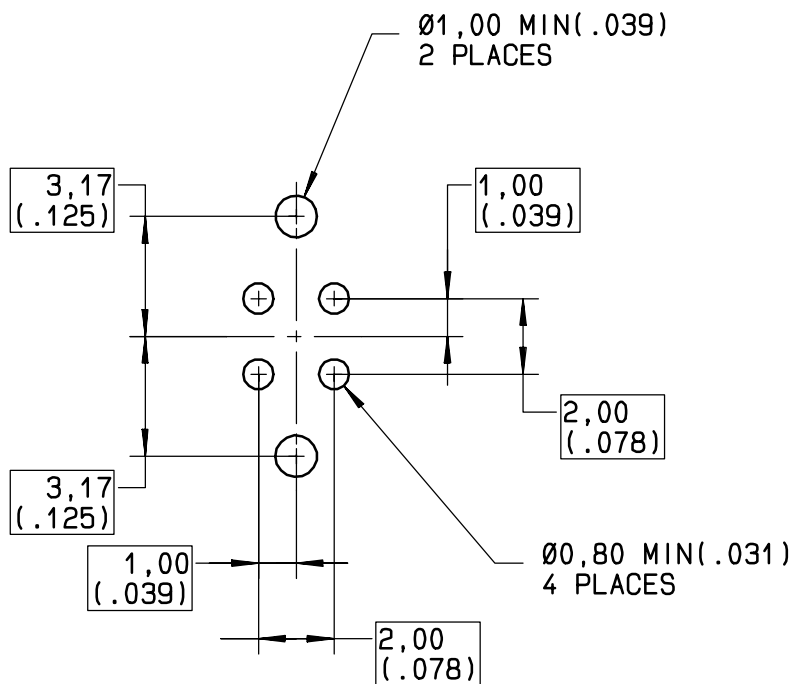
SIZE 8 FRONT RELEASE. FRONT REMOVABLE
PC POST PIN QUADRAX CONTACT

Issue:
08 MARCH 2002

Page
1 / 1



RECOMMENDED
PC DRILL PATTERN



*MATERIAL:

- OUTER CONTACT: BRASS PER QQ-B-626
- CENTER CONTACT: BODY LEADED NICKEL COPPER (C97)
- DIELECTRICS: FPTE PER ASTM-D-1710 OR EQUIVALENT

*FINISH:

- ALL METAL PARTS:
PLATING .00005 INCH OF GOLD PER MIL-G-45204 TYPE I OR II
GRADE C OR D CLASS 1 OVER NICKEL PER QQ-N-290

*EXTRACTION TOOL:

- RADIALL P/N: 282 549 009

This information is given as an indication. In the continual goal to improve our products, we reserve the right to make any modifications judged necessary.

4112-9610

CREATION
PEN:
NOM: MACARI	08 MAR 02	ADD 1,22 (.048)/0,54 (.020)	COUTHON	.
DATE: 23 JULY 01	08 FEB 02	CHANGED SITE FROM MARKING RADIALL	COUTHON	GOMBERT
APPR.: B VDM	10 OCT.01	ADDED 4,70 MAX (.185)	MACARI	B VDM
	Issue	Revisions	Name	Approved

620176008